

DESIGO™ PX

## Extension module for remote management

## PXA30-T

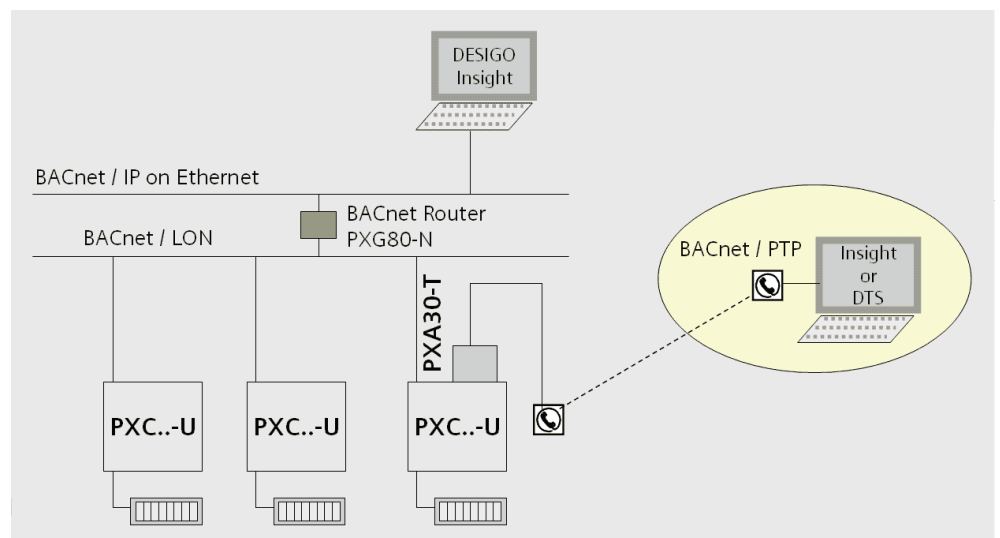
Plugs into the modular automation stations, type PXC...-U

- For operation of the PXC...-U automation stations in the DESIGO building automation and control system, using BACnet over LON and a modem
- Remote management with DESIGO INSIGHT
- Remote engineering, dial-in with DTS and X-Works

### Function

With a PXA30-T extension module connected, the PXC...-U automation station operates as a native BACnet/LON device.

An analog or ISDN modem can be connected via the RS232 interface. This can be used for BACnet/PTP (point-to-point) communications with DESIGO INSIGHT.



## Types

---

**PXA30-T**      Extension module

## Compatibility

---

The module is fitted into a PXC64-U or PXC...-U automation station.

## Ordering

---

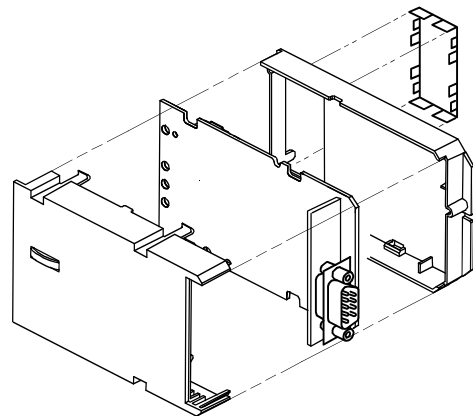
When ordering, please specify the quantity, product name and type code.

*Example:*

**20      Extension modules      PXA30-T**

## Mechanical design

---



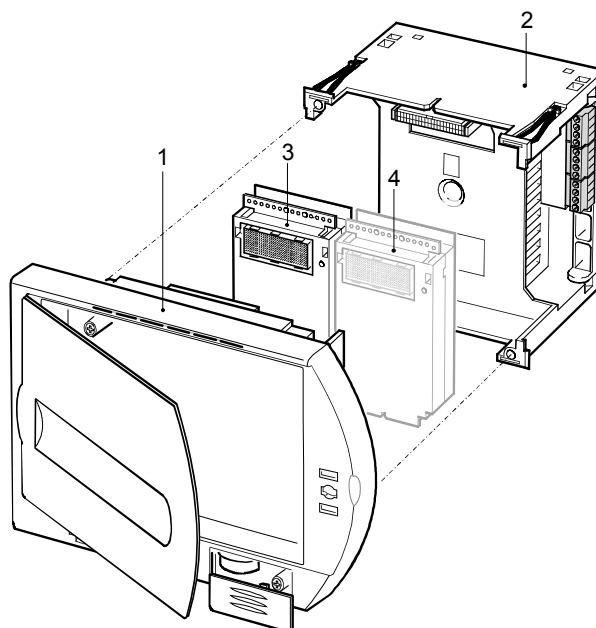
- Two-part snap-together housing (plastic)
- Cover for contact protection
- PCB with electronic components
- RS232 female D-Sub 9 connector

## Mounting

---

The extension module is plugged into the PXC...-U modular automation station. It is important to follow the instructions supplied with the device, in particular:

- Avoid touching the connector pins (ESD precautions)
- Push the module firmly into position (1.5 mm) and check that it is securely in place so that the fine contact pins interlock properly.



- 1 Plug-in unit
- 2 Device base
- 3 Extension module type PXA30-T  
(Left slot only!)
- 4 Other extension modules

## Installation

---

It is essential to adhere to the instructions described in the DESIGO PX mounting and installation guide (CA110396).

## Commissioning

---

The automation station is commissioned and configured with DTS (DESIGO TOOLSET) / XWP (XWORKS plus).

## Disposal

---



The device includes electrical and electronic components and must not be disposed of as domestic waste.

**Current local legislation must be observed.**

## Technical data

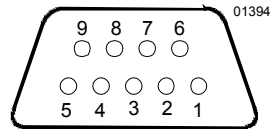
---

Ethernet connection	Port type	RS232
	Baud rate	Max. 115 200
	Data bits	8
	Stop bits	1
	Parity	None
	Flow control	Xon/Xoff
	Wiring	
	Cable type	9-core standard screened cable
	Cable length	Max. 3 m
Housing protection	Protection standard to EN 60529	IP 30
Protection class	Insulation protection class	III
Environmental conditions	Operation	Class 3K5 to IEC 721
	Temperature	0 ... 50 °C
	Humidity	< 85 % rh
	Transport	Class 2K3 to IEC 721
	Temperature	- 25 ... 65 °C
	Humidity	< 95 % rh
Standards	Product safety	
	Automatic electronic controls for household and similar use	EN 60730-1
	Special requirements for energy controllers	EN 60730-2-11
	EMC Directive	
	Immunity	EN 61000-6-2 (Industry)
	Emissions	EN 61000-6-3 (Residential)
	Meets the requirements for <b>CE</b> marking:	
	EMC Directive	2004/108/EG
	UL-Approbation	UL 916: PAZX, PAZX7
Dimensions	See " <i>Dimensions</i> "	
Weight	Excluding packaging	75 g
	With packaging	95 g

## Pins

---

### RS232 port



1	DCD	Data carrier detect
2	RXD	Received data
3	TXD	Transmit data
4	DTR	Data terminal ready
5	GND	Signal ground
6	DSR	Data set ready
7	RTS	Request to send
8	CTS	Clear to send
9	NC	Not connected

## Dimensions

---

Dimensions in mm

